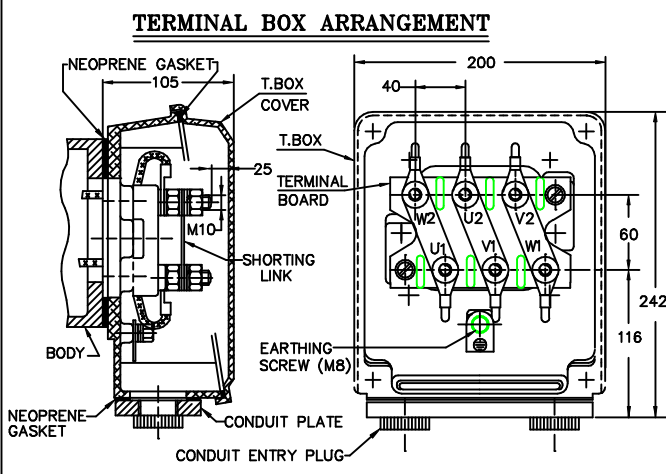
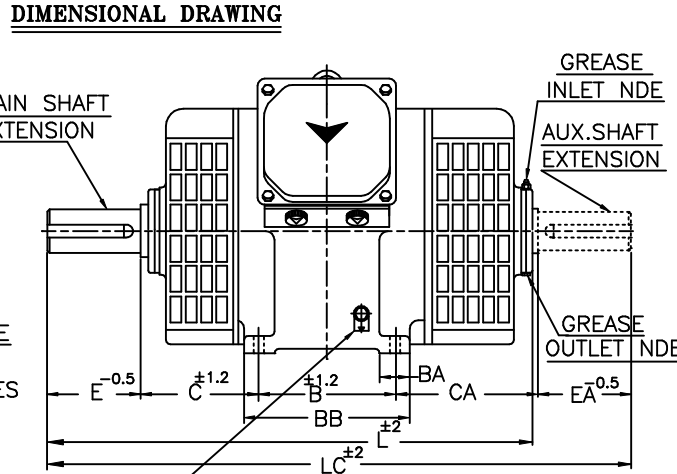
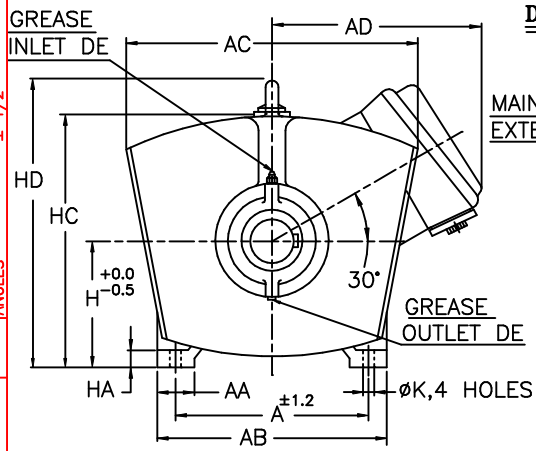


UNMENTIONED TOLERANCES
 LINEAR ABOVE 0 6 315 1000
 DIMENSIONS (UPTO 6 315 1000 2000
 (MACHINED) TOL. ±0.2 ±0.5 ±0.8 ±1.2
 ANGLES ± 1/2°

ALL INFORMATION CONTAINED IN THIS DOCUMENT IS CONFIDENTIAL
 AND THE PROPERTY OF KIRLOSKAR ELECTRIC CO.LTD.
 REPRODUCING OF THESE IN ANY FORM IS TO BE DONE WITH THE
 SPECIFIC PERMISSION OF THE COMPANY.

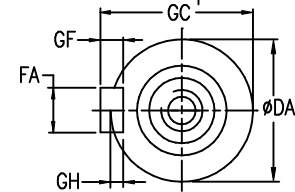
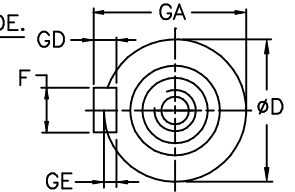


2 Nos.OF M10 EARTHING
 SCREWS ONE ON EACH SIDE.

NOTE: MAX. CABLE SIZE : MAIN-2x3Cx70sqmm,
 SHORTING LINKS ARE PROVIDED ONLY FOR DOL START.

NOTE:

1. DIMENSIONS ARE AS PER IS:1231.
2. INDEX OF PROTECTION : IP:22.
3. TOLERANCE ON 'D' : k6 UPTO & INCLUDING Ø48
 : m6 INCLUDING & ABOVE Ø55
4. PROTECTED CENTRE HOLE AT SHAFT EXTENSION AS PER IS:2540.
 "M16 X 32" FOR 'D'- Ø48
 "M20 X 40" FOR 'D'- Ø55 & Ø60
5. KEY & KEYWAY ARE AS PER IS:2048 & TOLERANCE ON KEYWAY IS P9.



ITEM/TAG No.			
RATING			
CABLE SIZE	JOB No. :		
O/A NO.:	CUSTOMER :		
PROJECT :	CONSULTANT :		

6	SA225M	4,6 & 8	356	75	440	525	335	311	85	360	149	193	65	48	140	110	18	14	69	51.5	11	9	7	5.5	225	25	451	532	19	786	903
5	SA225M	2											60						64												
4	SA200L	2,4,6 & 8	318	72	388	470	313	305	75	354	133	190	60	48	140	110	18	14	64	51.5	11	9	7	5.5	200	25	400	481	19	765	878
3	SA200M	2,4,6 & 8						267		317		203																			
2	SA180L	2,4,6 & 8	279	60	343	400	295	279	72	330	121	188	55	42	110	110	16	12	59	45	10	8	6	5	180	20	355	436	15	695	809
1	SA180M	2,4,6 & 8						241		290		201																			

Z122383200JR

SURFACE ROUGHNESS (MAX) AS PER KSD-02-027
 Ra um 50 12.5 25 1.6 3.2 6.3 1.2 0.4 0.8 0.025 0.05 0.1
 OLD NEW
 UNMENTIONED
 RAD: UC: CHAM: R_a √

2	-	0122209	REDRAWN IN A NEW FORMAT.	sd/-	21/1/09	MARKETING
1	A6	1562299	'CA' DIM FOR SA200L WAS 182 CHANGED TO 190	sd/-	9/6/99	PRODUCTION
REV.	ZONE	DCN.No.	BRIEF RECORD	SIGNATURE	DATE	PRINTS ISSUED TO
8	7	6	5			

THIS SUPERSEDES FROM dt AS PER DCN No.....
 THIS SUPERSEDED BY FROM dt AS PER DCN No.....

MATERIAL SPECIFICATION	RAW MATERIAL SIZE	WEIGHT kg	SCALE	NTS
		RM FIN.		
CASTING/FAB REF.	No.P.S.:			
USED ON	REDRAWN	CHECKED	STANDARD	APPROVED
SA180 TO 225	sd/-	sd/-	sd/-	sd/-
TITLE:	dt. 21/1/09	dt. 21/1/09	dt. 21/1/09	dt. 21/1/09

DIMENSION SHEET
 (WITH TERMINAL BOX ARRANGEMENT)
32238398R2
 SHEET one of one
 KIRLOSKAR ELECTRIC COMPANY LTD. HUBLI-580030 (INDIA)

FORM No. 02 201 02B (ISSUE 7)